

WALL | SYSTEMS

Between us, ideas become reality™

Custom Metal Walls



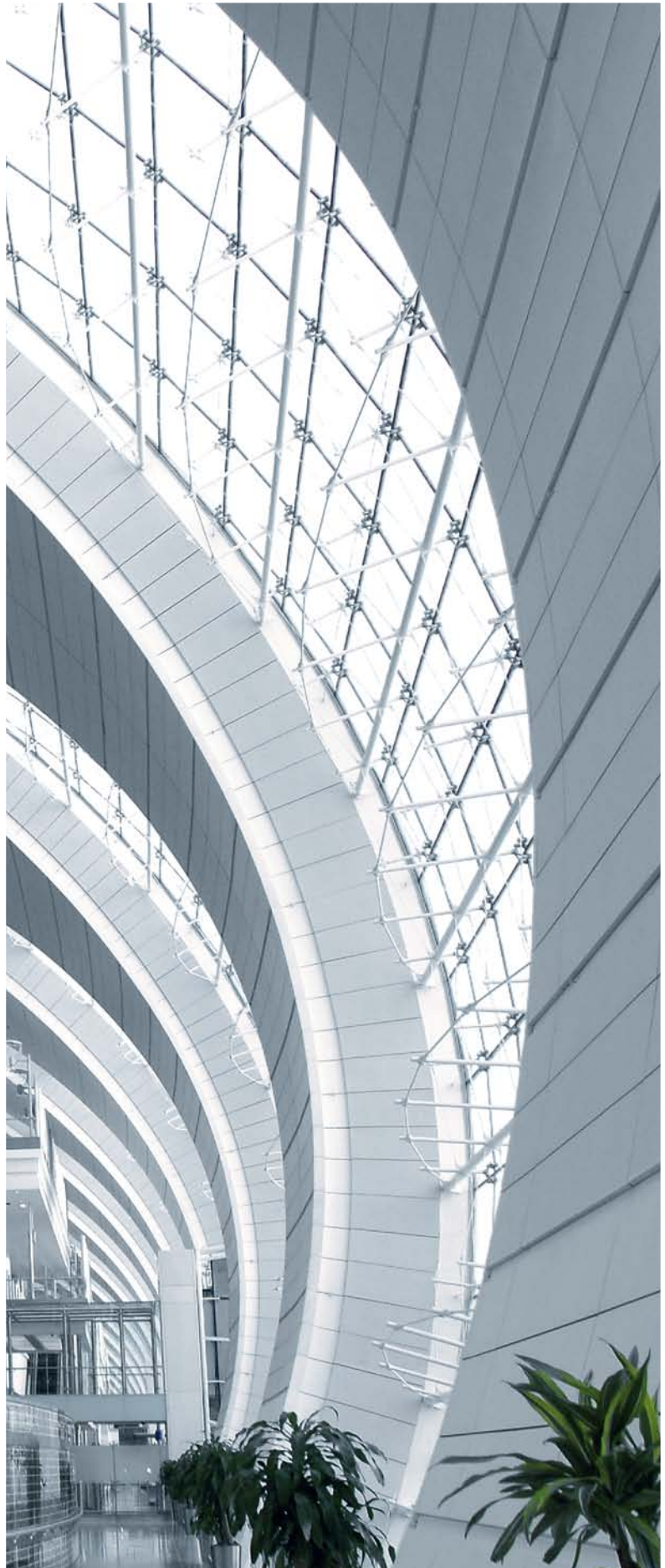
“ As one of the leading manufacturers of metal ceilings and walls, Armstrong is capable of supplying large quantities at required quality meeting program deadlines. Armstrong was heavily involved in the design process and also engaged in technical clarifications. In addition, Armstrong was responsible for submitting layout plans, related production and installation plans, as well as materials and static test results. All materials achieved the quality of the project and the finish is world class. ”

Bruce Neave

Project Director, Murray & Roberts

Custom Metal Walls unperforated
in Custom RAL 7024 finish
Dubai International Airport,
United Arab Emirates

Cover:
Custom Metal Walls and MetalWorks RH215
Faceted Custom Ceiling System
unperforated in Custom RAL 7024 finish
Club Nokia at LA Live!, Los Angeles, CA





Custom Metal Walls and MetalWorks RH200
 Custom Ceiling System Unperforated in Silver
 Grey with Custom Metal Corner Guards
 University of Texas at San Antonio
 San Antonio, TX

MetalWorks WH1000 Custom Wall System and RH200 Ceiling System
 with Rd 1522 Perforation in White
 University of Oregon – Ford Alumni Center, Eugene, OR

Key Selection Attributes

- Variety of colors, sizes, and perforations
- Durable – Washable, Scrubbable, Soil-resistant
- Coordinate with MetalWorks™ ceilings
- Project assistance available from the Architectural Specialties team; call 1 877 ARMSTRONG and select options 1-1-4

Typical Applications

- Office
- Education
- Hospitality and retail
- Healthcare
- Transportation (including Light Rail)



Custom Metal Walls and MetalWorks RH215 Custom Ceiling System unperforated in Custom RAL 7024 finish
 Club Nokia at LA Live!

Custom Metal Walls with Rd 1522 perforation
and Custom RAL 7024 finish
Club Nokia at LA Live!, Los Angeles, CA



Custom Metal Walls unperforated and with
Rd 1522 perforation in Custom RAL 7024 finish
Dubai International Airport, United Arab Emirates



MetalWorks WH1000 Custom Wall System and MetalWorks
DH700 Custom Ceiling System with
Rg 14023 Perforation Pattern in Gun Metal Grey
Harley Ellis Devereaux, Los Angeles, CA

Custom Metal Walls with Rd 1522 perforation
and Custom RAL 7024 finish
Dubai International Airport, United Arab Emirates

MetalWorks Custom Walls unperforated and with Rd 1522 perforation in Custom RAL 7024 finish
Dubai International Airport, United Arab Emirates

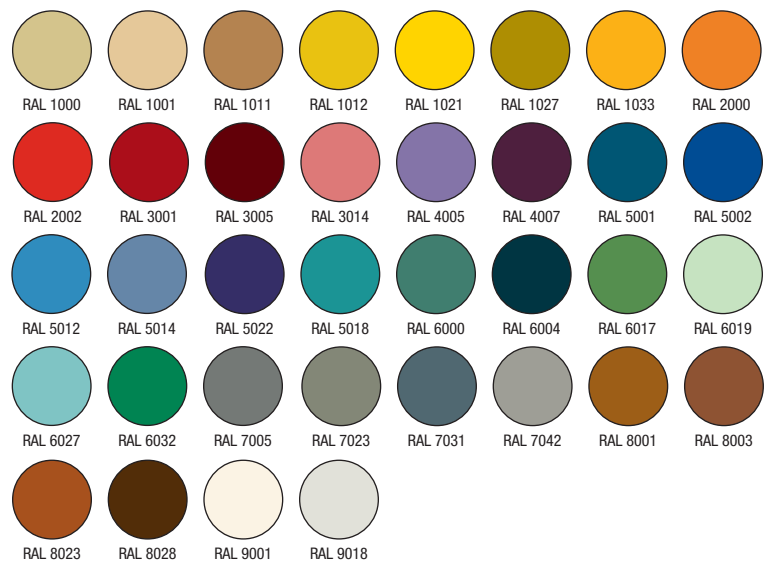


Custom Metal Walls and MetalWorks RH200
Custom Ceiling System Unperforated in Silver Grey
with Custom Metal Corner Guards
University of Texas at San Antonio
San Antonio, TX

CUSTOM METAL WALLS

Custom Finish Selection Due to printing limitations, shade may vary from actual product.

Custom RAL Colors (partial list)*

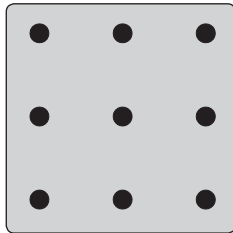


* Refer to CS-3957 for a sampling of Custom RAL colors. Contact Armstrong Architectural Specialties at 877 ARMSTRONG, select options 1-1-4 for custom color matching requests.

Custom Metal Walls

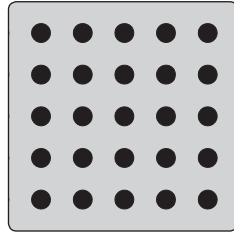
Perforation Selection Actual 1:1 scale shown unless otherwise noted.

Type : Round-Straight



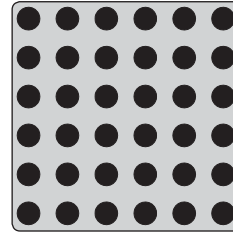
Hole Size:
2.5mm [.098"]
% Open Area:
12.0%

Rg 2504



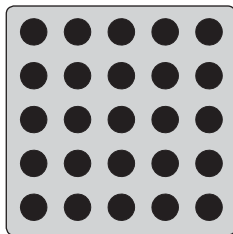
Hole Size:
2.5mm [.098"]
% Open Area:
16.0%

Rg 2516



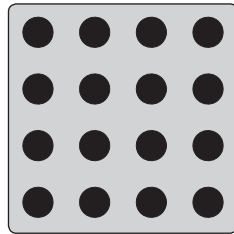
Hole Size:
10mm [.394"]
% Open Area:
59.2%

Rg 3027



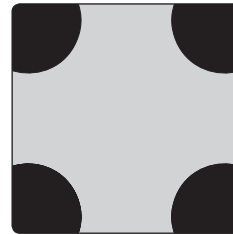
Hole Size:
3.5mm [.138"]
% Open Area:
29.0%

Rg 3529



Hole Size:
4.0mm [.157"]
% Open Area:
22.0%

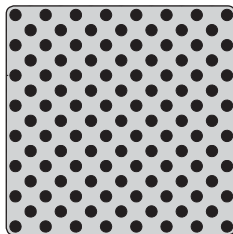
Rg 4022



Hole Size:
14.0mm [.551"]
% Open Area:
23.0%

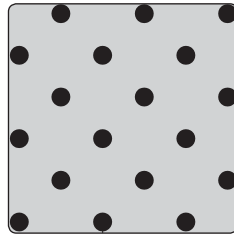
Rg 14023

Type : Round-Diagonal



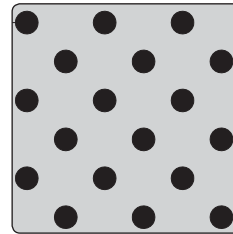
Hole Size:
1.5mm [.059"]
% Open Area:
22.0%

Rd 1522



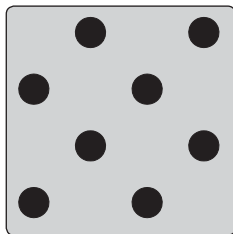
Hole Size:
2.5mm [.098"]
% Open Area:
8.0%

Rd 2508



Hole Size:
3.0mm [.118"]
% Open Area:
13.0%

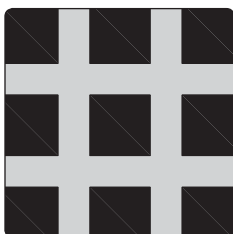
Rd 3013



Hole Size:
4.0mm [.157"]
% Open Area:
11.0%

Rd 4011

Type : Square-Straight

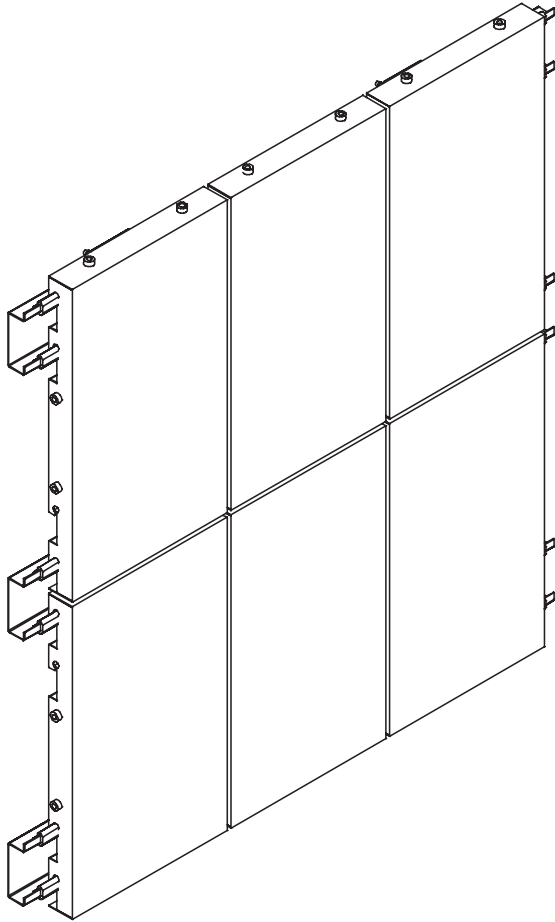


Hole Size:
8mm [.315"]
% Open Area:
43.0%

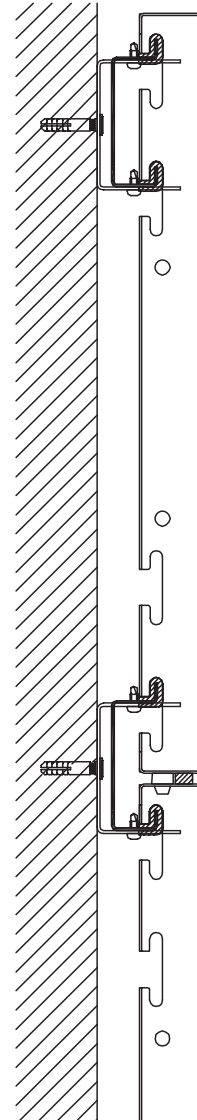
Qg 8043

Installation Details

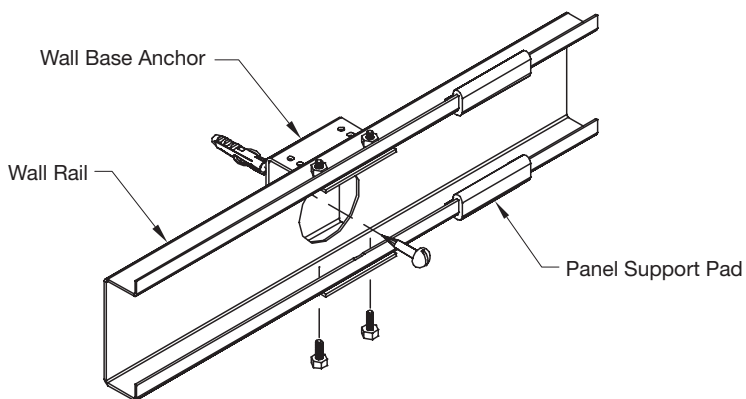
Custom Metal Wall Isometric
(front view)



Custom Metal Wall Section

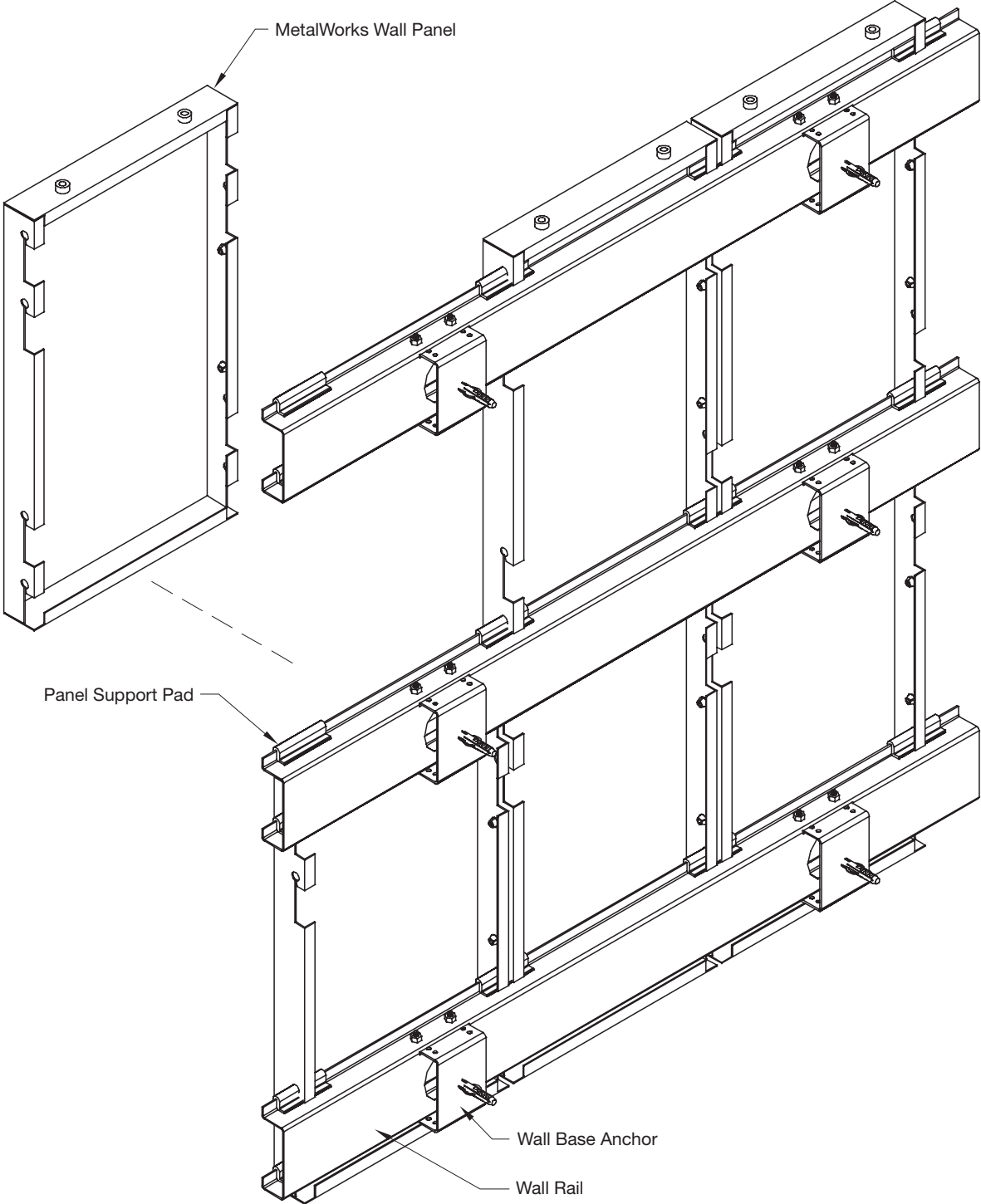


Custom Metal Wall Suspension Isometric



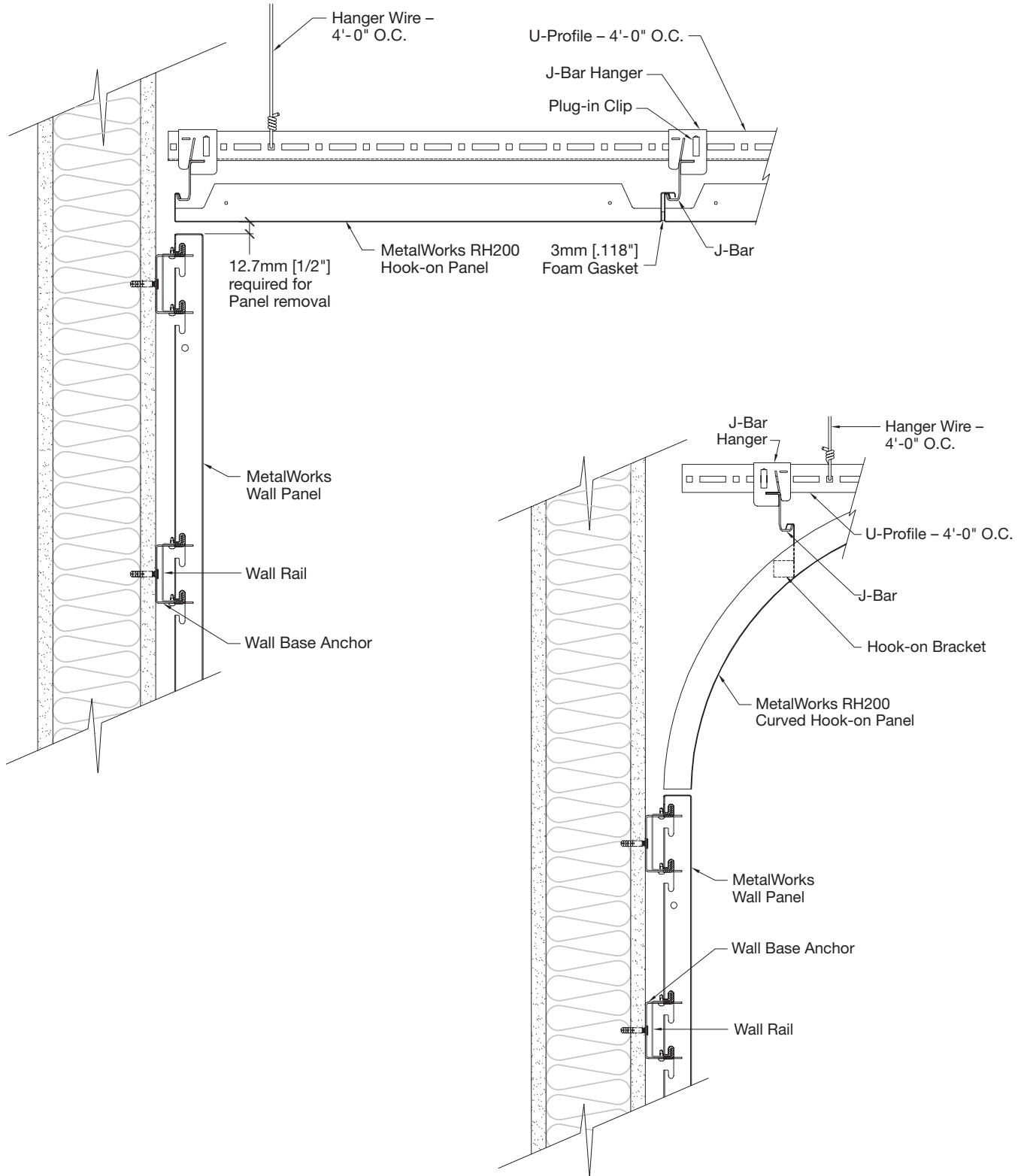
Installation Details

Custom Metal Wall Isometric (back view)



Installation Details

Custom Metal Wall-to-Ceiling Transitions



WALL SYSTEMS

Between us, ideas become reality™

armstrong.com/walls

- Latest product and program news
- Real-time selection and specification information
- Glossary of technical terms
- Contacts – reps, where to buy, who will install
- Submittal pages and online catalog
- Specification writing tool
- Product literature and samples – try Swatch It™ on the web



Online tool that allows you to visually create MetalWorks and WoodWorks ceiling and wall swatches – color, perforation, and pattern – watch as your swatch comes to life!
armstrong.com/swatchit

All trademarks used herein are the property of AWI Licensing Company and/or its affiliates
© 2011 AWI Licensing Company • Printed in the United States of America

TechLine™ / 1 877 ARMSTRONG

1 877 276 7876

armstrong.com/walls

CS-4158-1011

